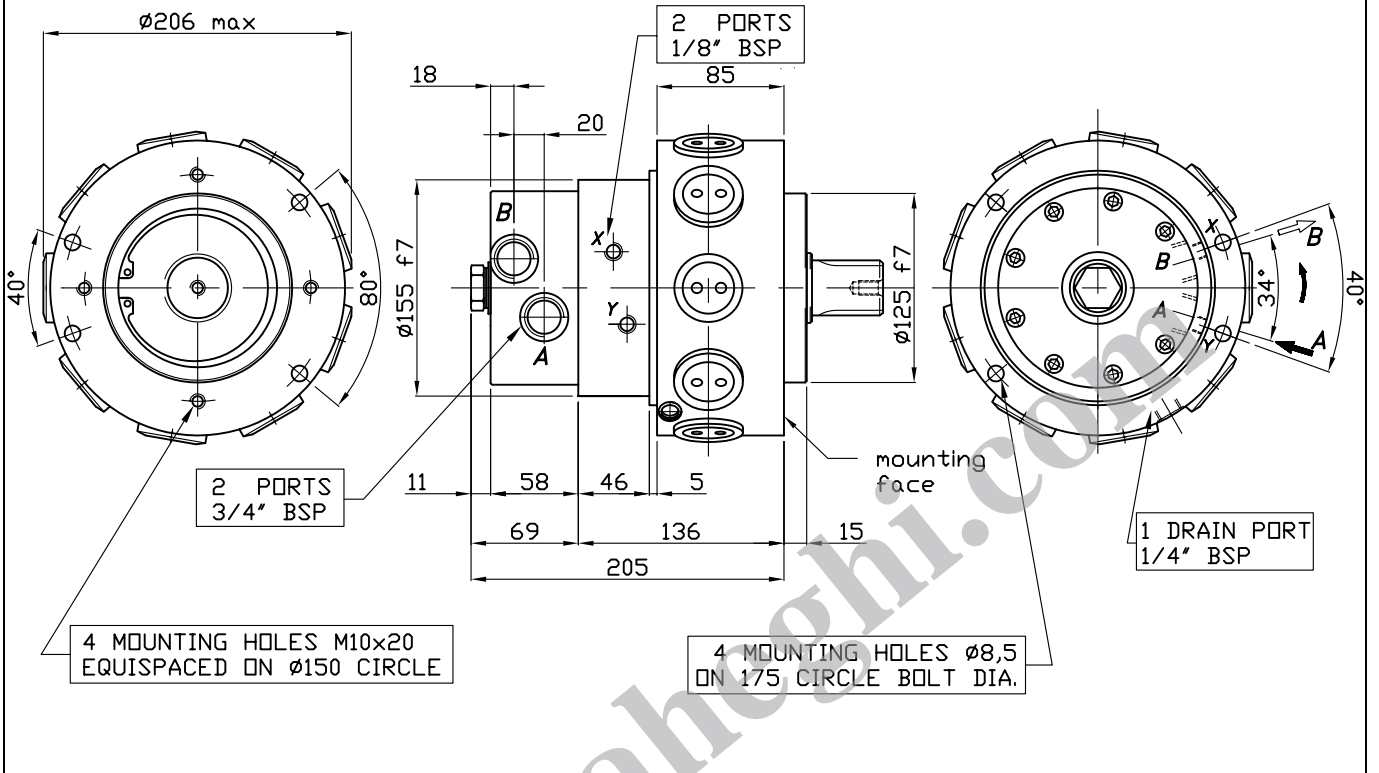


# SIZE

GD 100

STANDARD SERIES



# SHAFT

GD 100

A1: Splined Shaft

A2: Parallel shaft on request

